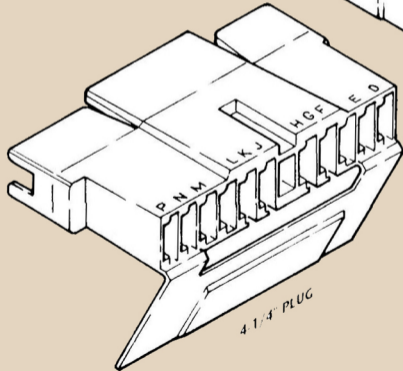


**GM TURN SIGNAL SWITCH
CONNECTOR PINOUT**



- D- empty
- E- empty
- F- empty
- G- BLACK #953 HORN ACTIVATION
- H- LT.BLUE #926 FRONT L TURN
- J- BLUE #925 FRONT R TURN
- K- BROWN #951 HAZARD POWER
- L- PURPLE #952 TURN SIGNAL POWER
- M- YELLOW #949 REAR L TURN
- N- GREEN #948 REAR R TURN
- P- WHITE #918 BRAKE LIGHT POWER